

PARACHUTE INDONESIA

G10-PI CARGO

PARACHUTE ENGINEERING

NOT FOR SCALE	PREPARED BY: R. ADIMURSITO, M.eng, CA	DATE:	Tactical Parachute Delivery System, Inc. 4035 Correia Drive Zephyrhills, FL 33542 U.S.A 1+813-788-1910 +1 83-788-2799 Fax	PARACHUTE INDONESIA Jl. Gading Griya Lestari Raya Blok H1 no. 43 Sukapura, Jakarta Utara 14140, Indonesia	PARACHUTE INDONESIA G10-PI	
	CHECKED BY:	DATE:			DRAWING:	REVISION:
	QC APPROVED:	DATE:			SCALE: NONE	SHEET:
	CONTRACT NO:					

PARACHUTE INDONESIA

INDEX:

pg. 1	COVER PAGE
pg. 2	INDEX
pg. 3	TOP VIEW & LINE ATTACHMENTS
pg. 4	SIDE VIEW
pg. 5	GORE
pg. 6	GORE SEAMS
pg. 7	TOP & BOTTOM GORE SEAMS
pg. 8	GORE TO LINE ATTCHMENT

NOT FOR SCALE

PREPARED BY:
R. ADIMURSITO, M.eng, CA

DATE:

CHECKED BY:

DATE:

QC APPROVED:

DATE:

CONTRACT NO:

**Tactical Parachute
Delivery System, Inc.**

4035 Correia Drive
Zephyrhills, FL 33542
U.S.A
1+813-788-1910
+1 83-788-2799 Fax

PARACHUTE INDONESIA

Jl. Gading Griya Lestari Raya Blok H1 no. 43
Sukapura, Jakarta Utara 14140,
Indonesia

PARACHUTE INDONESIA
G10-PI

DRAWING:

REVISION:

SCALE: NONE

SHEET:

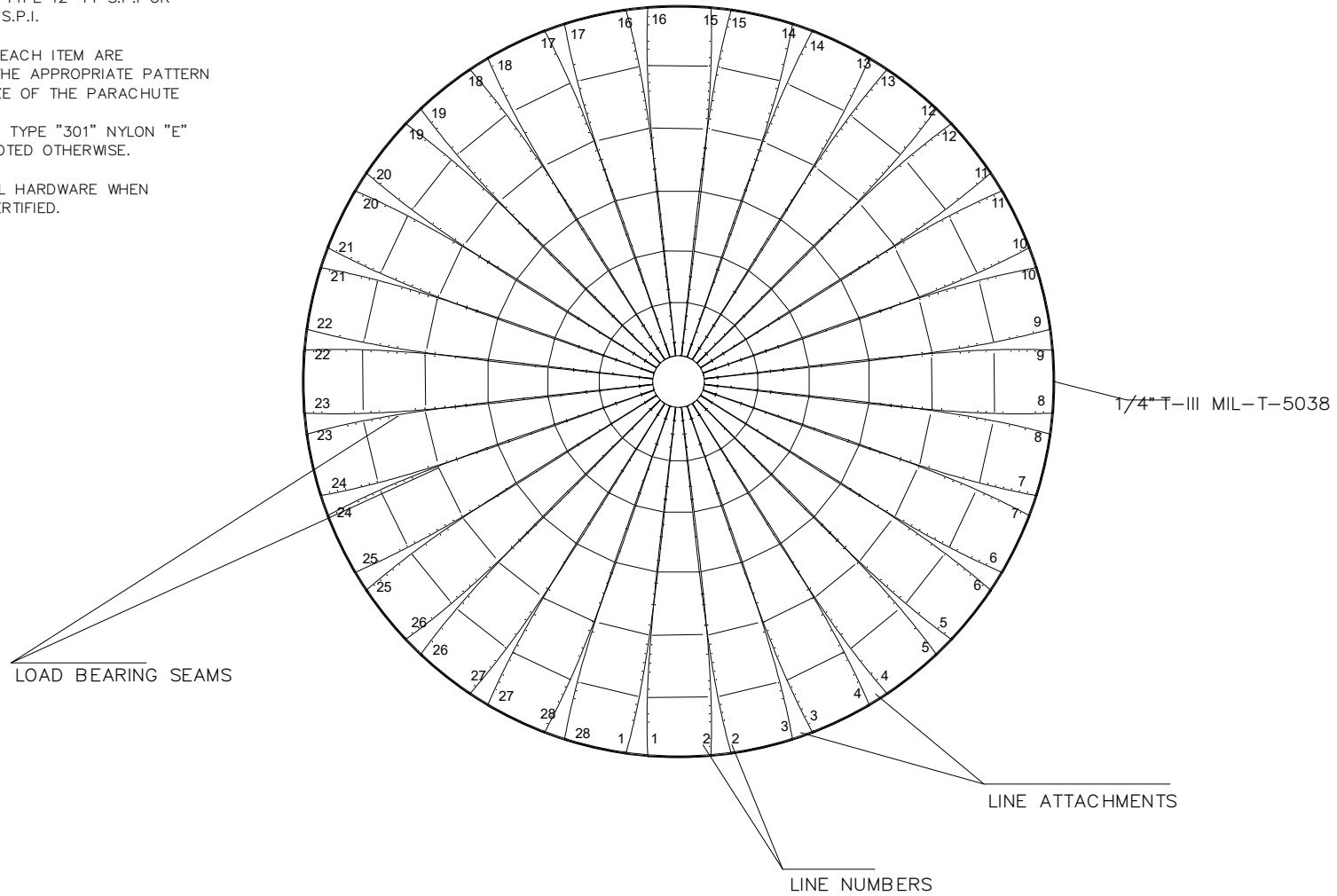
NOTES:

1. BARTACK: NYLON "E" THREAD, 32-40 STICHES OR "304" TYPE 12-14 S.P.I OR "308" TYPE, 7-10 S.P.I.

2. DIMENSIONS OF EACH ITEM ARE DETERMINED BY THE APPROPRIATE PATTERN PIECE FOR THE SIZE OF THE PARACHUTE

3. ALL STICHING IS TYPE "301" NYLON "E" THREAD UNLESS NOTED OTHERWISE.

4. STAINLESS STEEL HARDWARE WHEN AVAILABLE AND CERTIFIED.



TOP VIEW

NOT FOR SCALE	PREPARED BY: R. ADIMURSITO, M.Eng.	DATE:	Tactical Parachute Delivery System, Inc. 4035 Corcoran Drive Zephyrhills, FL 33542 U.S.A. 1+813-788-1910 +1 83-788-2799 Fax	PARACHUTE INDONESIA JL. Gading Griya Lestari Raya Blok H1 no. 43 Sukapura, Jakarta Utara 14140, Indonesia	TOP VIEW & LINE ATTACHMENTS	
	C.A. CHECKED BY:	DATE:			DRAWING:	REVISION:
	QC APPROVED:	DATE:			SCALE: NONE	SHEET:
	CONTRACT NO:					

NOTES:

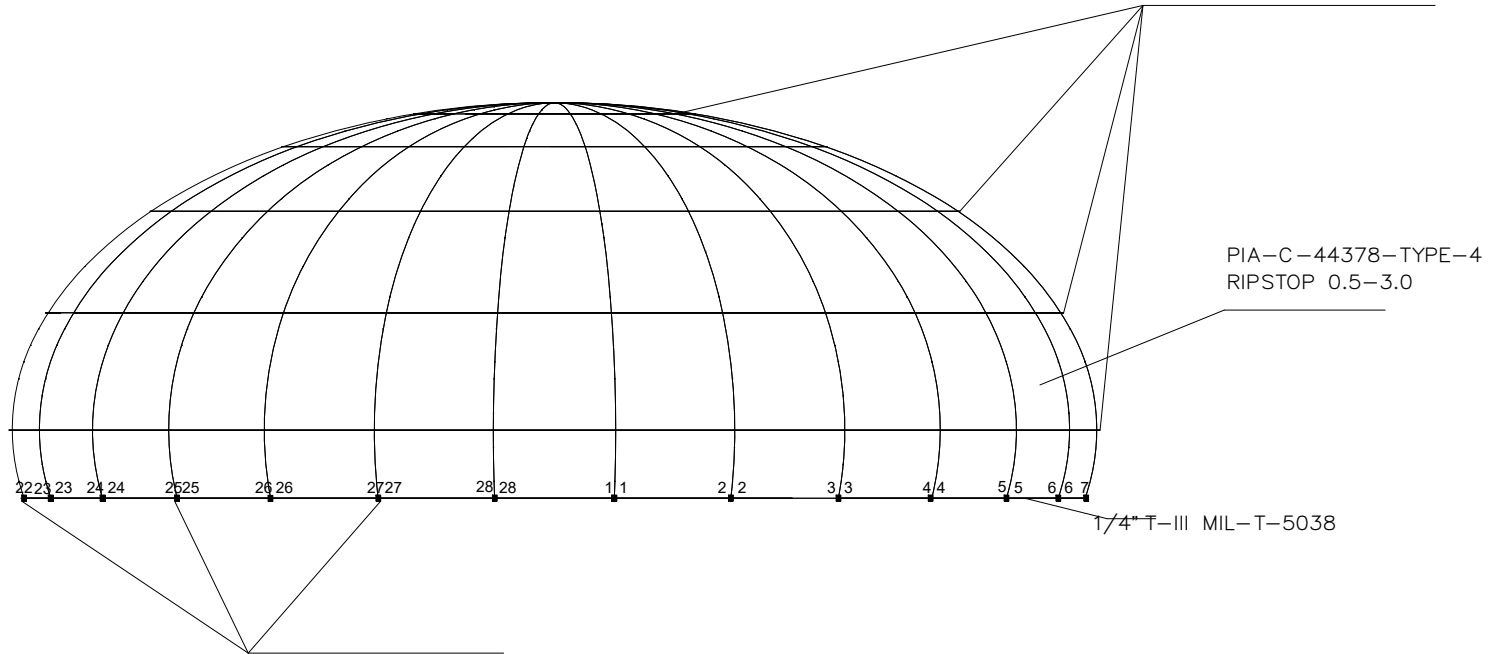
1. BARTACK: NYLON "E" THREAD, 32-40 STICHES OR "304" TYPE 12-14 S.P.I OR "308" TYPE, 7-10 S.P.I.

2. DIMENSIONS OF EACH ITEM ARE DETERMINED BY THE APPROPRIATE PATTERN PIECE FOR THE SIZE OF THE PARACHUTE

3. ALL STICHING IS TYPE "301" NYLON "E" THREAD UNLESS NOTED OTHERWISE.

4. STAINLESS STEEL HARDWARE WHEN AVAILABLE AND CERTIFIED.

1/2" T-III MIL-T-5038
NOTE: 2 X DOUBLE NEEDLE
w/ 3/16" SPACING



LINE NUMBERS AND ATTACHMENTS

SIDE VIEW

NOT FOR SCALE

PREPARED BY: R. ADIMURSITO, M.Eng.	DATE:
CHECKED BY:	DATE:
QC APPROVED:	DATE:
CONTRACT NO:	

Tactical Parachute
Delivery System, Inc.

4035 Correia Drive
Zephyrhills, FL 33542
U.S.A
1-813-788-1910
+1 83-788-2799 Fax

PARACHUTE INDONESIA

JL. Gading Griya Lestari Raya Blok H1 no. 43
Sukapura, Jakarta Utara 14140,
Indonesia

SIDE VIEW

DRAWING:	REVISION:
SCALE: NONE	SHEET:

NOTES:

1. BARTACK: NYLON "E" THREAD, 32-40 STICHES OR "304" TYPE 12-14 S.P.I OR "308" TYPE, 7-10 S.P.I.

2. DIMENSIONS OF EACH ITEM ARE DETERMINED BY THE APPROPRIATE PATTERN PIECE FOR THE SIZE OF THE PARACHUTE

3. ALL STICHING IS TYPE "301" NYLON "E" THREAD UNLESS NOTED OTHERWISE.

4. STAINLESS STEEL HARDWARE WHEN AVAILABLE AND CERTIFIED.

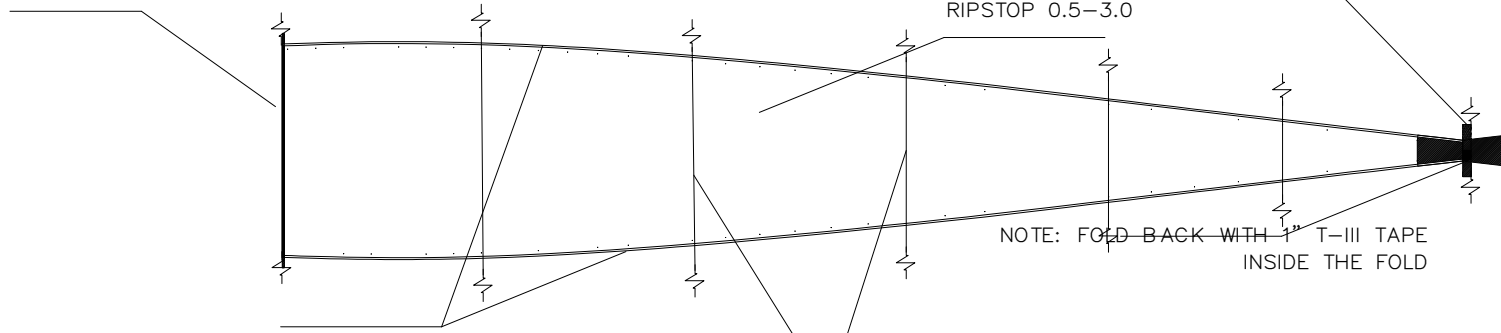
NOTE: FOLD EDGE UNDER 3/16" PLACE 3/4" T-III INTO FOLD 2 X DOUBLE NEEDLE w/ 3/16" SPREAD

1" T-III MIL-T-5038
NOTE: 2 X DOUBLE NEEDLE
w/ 3/16" SPACING

PIA-C-44378-TYPE-4
RIPSTOP 0.5-3.0

NOTE: FOLD BACK WITH 1" T-III TAPE
INSIDE THE FOLD

1/2" T-III MIL-T-5038
NOTE: 2 X DOUBLE NEEDLE
w/ 3/16" SPACING



NOT FOR SCALE

PREPARED BY:
R. ADIMURSITO, M.Eng.

DATE:

C.A.
CHECKED BY:

DATE:

QC APPROVED:

DATE:

CONTRACT NO:

Tactical Parachute
Delivery System, Inc.

4035 Corcoran Drive
Zephyrhills, FL 33542
U.S.A.
1+813-788-1910
+1 83-788-2799 Fax

PARACHUTE INDONESIA

JL. Gading Griya Lestari Raya Blok H1 no. 43
Sukapura, Jakarta Utara 14140,
Indonesia

GORE

DRAWING:

REVISION:

SCALE: NONE

SHEET:

NOTES:

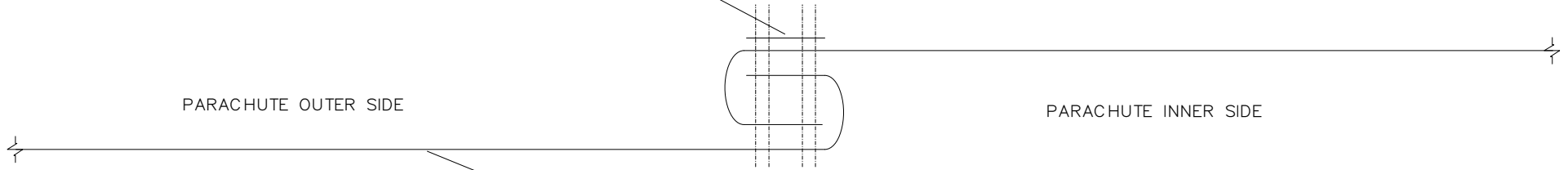
1. BARTACK: NYLON "E" THREAD, 32-40 STICHES OR "304" TYPE 12-14 S.P.I OR "308" TYPE, 7-10 S.P.I.

2. DIMENSIONS OF EACH ITEM ARE DETERMINED BY THE APPROPRIATE PATTERN PIECE FOR THE SIZE OF THE PARACHUTE

3. ALL STICHING IS TYPE "301" NYLON "E" THREAD UNLESS NOTED OTHERWISE.

4. STAINLESS STEEL HARDWARE WHEN AVAILABLE AND CERTIFIED.

1/2" T-III MIL-T-5038
NOTE: 2 X DOUBLE NEEDLE
w/ 3/16" SPACING



PARACHUTE OUTER SIDE

PARACHUTE INNER SIDE

PIA-C-44378-TYPE-4
RIPSTOP 0.5-3.0

NOT FOR SCALE

PREPARED BY:
R. ADIMURSITO, M.Eng.

DATE:

CA
CHECKED BY:

DATE:

QC APPROVED:

DATE:

CONTRACT NO:

Tactical Parachute
Delivery System, Inc.

4035 Corcoran Drive
Zephyrhills, FL 33542
U.S.A.
1+813-788-1910
+1 83-788-2799 Fax

PARACHUTE INDONESIA

JL. Gading Griya Lestari Raya Blok H1 no. 43
Sukapura, Jakarta Utara 14140,
Indonesia

GORE SEAMS

DRAWING:

REVISION:

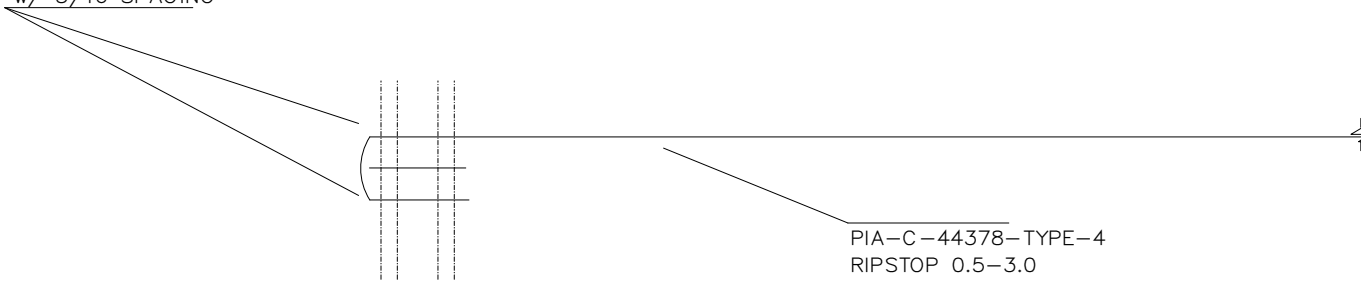
SCALE: NONE

SHEET:

NOTES:

1. BARTACK: NYLON "E" THREAD, 32-40 STICHES OR "304" TYPE 12-14 S.P.I OR "308" TYPE, 7-10 S.P.I.
2. DIMENSIONS OF EACH ITEM ARE DETERMINED BY THE APPROPRIATE PATTERN PIECE FOR THE SIZE OF THE PARACHUTE
3. ALL STICHING IS TYPE "301" NYLON "E" THREAD UNLESS NOTED OTHERWISE.
4. STAINLESS STEEL HARDWARE WHEN AVAILABLE AND CERTIFIED.

1" T-III MIL-T-5038
 NOTE: 2 X DOUBLE NEEDLE
 w/ 3/16" SPACING



PIA-C-44378-TYPE-4
 RIPSTOP 0.5-3.0

NOT FOR SCALE

PREPARED BY:
 R. ADIMURSITO, M.Eng.

DATE:

CA
 CHECKED BY:

DATE:

QC APPROVED:

DATE:

CONTRACT NO:

Tactical Parachute
 Delivery System, Inc.

4035 Corcoran Drive
 Zephyrhills, FL 33542
 U.S.A
 1+813-788-1910
 +1 83-788-2799 Fax

PARACHUTE INDONESIA

JL. Gading Griya Lestari Raya Blok H1 no. 43
 Sukapura, Jakarta Utara 14140,
 Indonesia

TOP AND BOTTOM
 GORE SEAMS

DRAWING:

REVISION:

SCALE: NONE

SHEET:

NOT FOR SCALE

PREPARED BY: R. ADAMS/ST/ID, M.Ang, CA	DATE:
CHECKED BY:	DATE:
QC APPROVED:	DATE:
CONTRACT NO:	

Tactical Parachute
Delivery System, Inc.
4035 Geneva Drive
Zephyrhills, FL 33542

PARACHUTE INDONESIA
Jl. Gedung Orpa Lesan Kayu Blok. H1 no. 43,
Sukapura, Jakarta Utara 14180,
Indonesia

LINE TO GORE
ATTACHMENT

- NOTES:
1. BARTACK: NYLON "E" THREAD, 32-40 STITCHES OR "304" TYPE, 12 -14 S.P.I. OR "308" TYPE, 7-10 S.P.I.
 2. DIMENSIONS OF EACH ITEM ARE DETERMINED BY THE APPROPRIATE PATTERN PIECE FOR THE SIZE OF THE PARACHUTE.
 3. ALL STITCHING IS TYPE "301" NYLON "E" THREAD UNLESS NOTED OTHERWISE.
 4. STAINLESS STEEL HARDWARE WHEN AVAILABLE AND CERTIFIED.

